

Compliance Tips

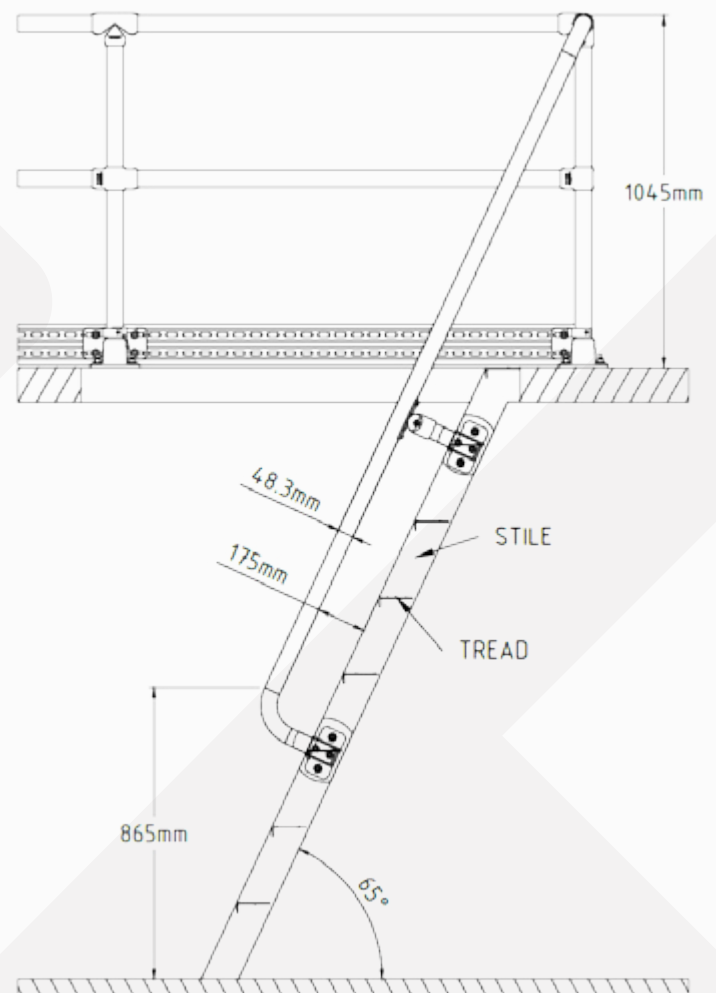
Handrail requirements on Step-Type Ladders – AS1657:2018

Under AS1657:2018 Clause 7.3.4, a step-type ladder must have handrails complying with AS1657:2018 Clause 5.6 provided on both sides of said ladder & must also comply with the following requirements:

- The clearspace between the handrails must not be less than 550 mm or greater than 750 mm.
- The clear distance between the handrail & the plane of the nosing of the treads, which is measured perpendicular to the slope of the step-type ladder, must not be less than 150 mm or greater than 200 mm.
- The bottom of the handrails shall commence at a point not more than 900 mm above the landing.

Where the handrails of a step-type ladder join into handrails on a walkway or platform above, there are additional requirements that must be met:

- The handrails of the step-type ladder & platform/walkway should be blended to form a smooth transition to allow continuous contact with the handrail while moving from the ladder to the platform/walkway and vice versa.
- Alternatively, handrails should be located to -
 - Permit an uninterrupted hand passage along the handrail surface until the user has reached the walkway or platform.
 - Ensure a clearance of not less than 50 mm between the handrail surface & any adjacent structure that could make contact with the user's hand.
 - Ensure that any gap measured between the ends or components of the handrails does not exceed 100 mm measured horizontally.
 - Follow the slope of the ladder; and
 - Avoid the need for direction changes that might affect the user's stability.



The section view above shows a custom height Assistrail AR10 system mounted onto a 65° ladder joining into Tuffrail TR25 on a platform above.