

Compliance Tips

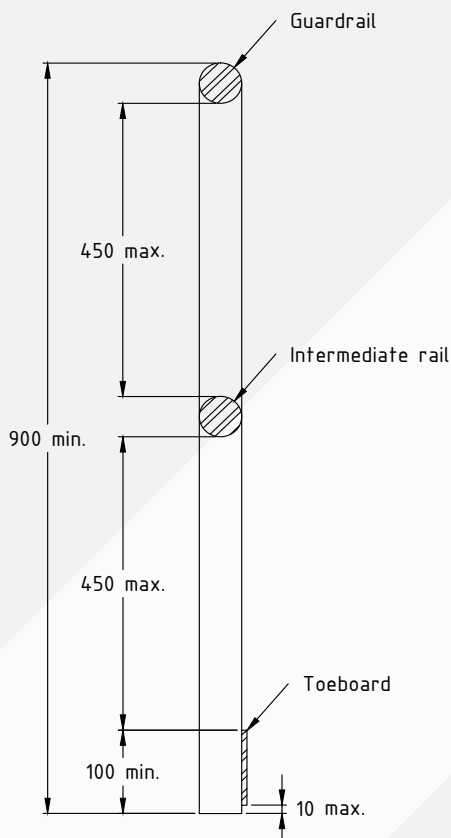
Guardrail requirements under AS1657-2013 – Post & Rail Construction

Under AS1657-2013 Clause 6.2.1.2, guardrails shall consist of:

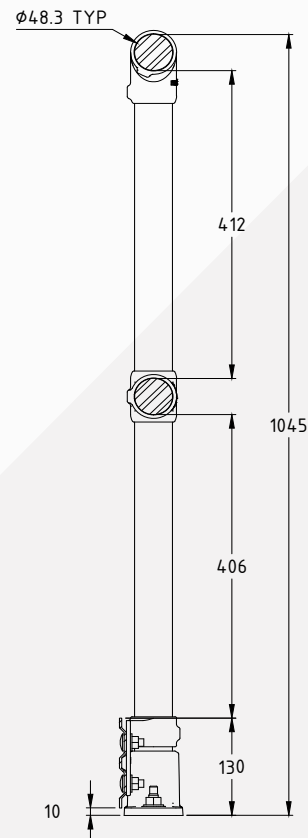
- A top rail parallel to the floor, or where used on a sloping walkway, parallel to the slope of the walkway, that is supported by posts at necessary intervals to meet the specified imposed actions.
- One or more intermediate rails that are parallel with the top rail, spaced so that the maximum clear space between those rails does not exceed 450mm.
- A toeboard system, but only if there is no permanent structure within 10mm of the edge of a walkway or if an object could fall to where persons have access to the area below (see AS1657-2013 Clause 5.5).

If a toeboard system is not required, then the maximum clear space between the lowest rail & the floor shall not exceed 560mm.

The section view below details the requirements shown from the Australia Standards versus the Moddex Tuffrail TR25 system.



Requirements - Australian Standards



Moddex Tuffrail TR25 System