

# Compliance Tips

## Considerations for handrail compliance to meet AS1428.1-2009

The design and construction of handrails shall comply with the following:

- a) Handrails and balustrades shall not encroach into required circulation spaces.
- b) The cross-section of handrails shall be circular or elliptical, not less than 30 mm or greater than 52mm in height or width for not less than 270° around the uppermost surface as shown in Figures 29(a) and 29(b).

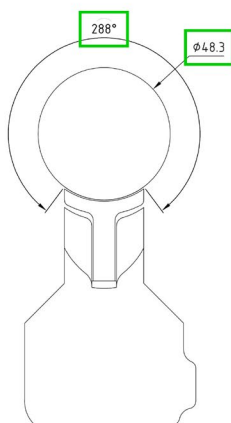
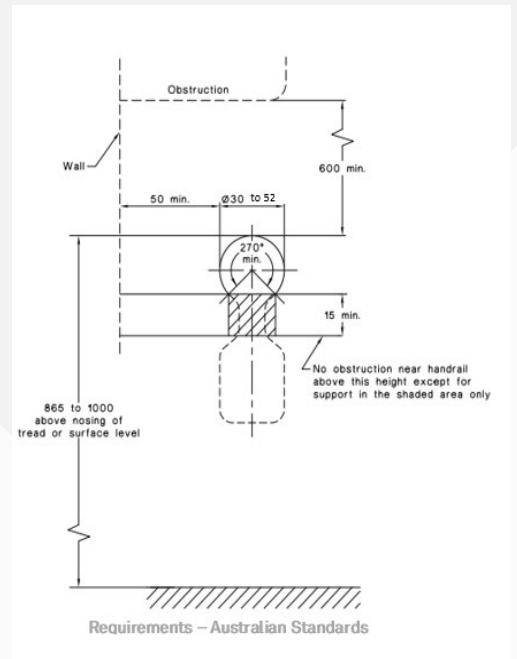
Elliptical handrails shall have the greater dimension in the horizontal axis as shown in Figure 29(b).

- h) The clearance between a handrail and an adjacent wall surface or other obstruction shall be not less than 52 mm.

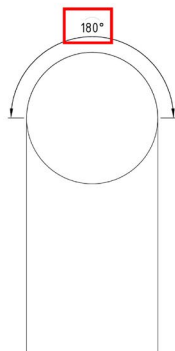
This clearance shall extend above the top of the handrail by not less than 600 mm.

- i) Handrails shall have no obstruction to the passage of a hand along the rail, as shown in Figures 29(a) and 29(b).

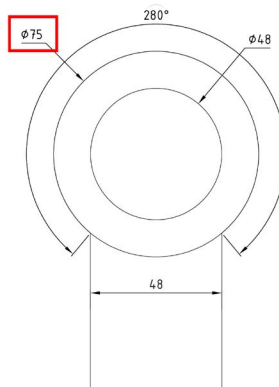
Figure 29 (in part) Handrails



✓ **Proprietary System Compliant**  
• Meets all requirements



✗ **Notched and Welded Non-compliant**  
• Less than 270° clearance



✗ **Ball and Tube Non-compliant**  
• Greater than 52mm diameter at connection creating obstruction